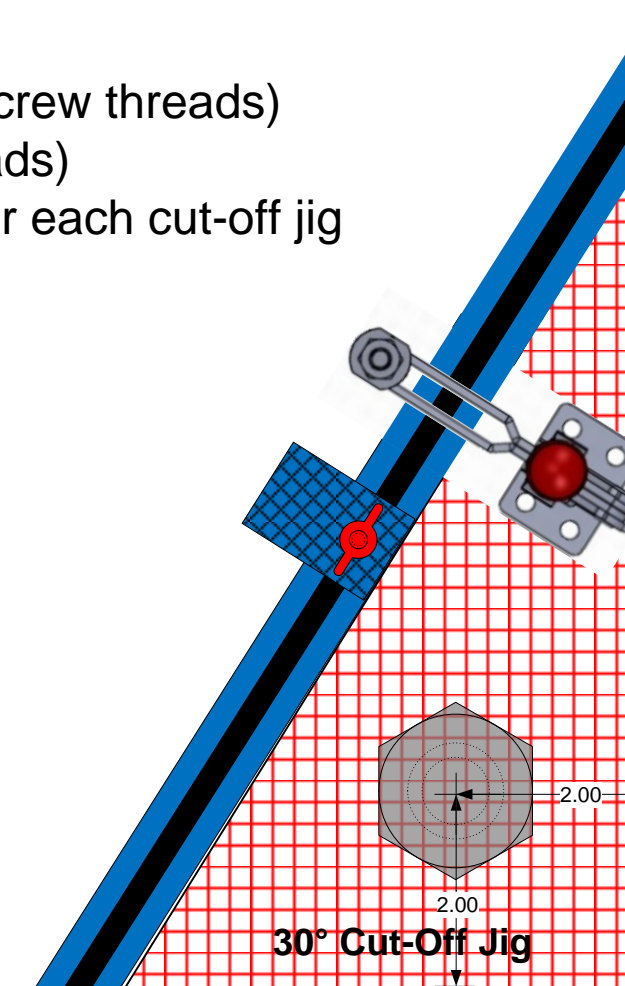
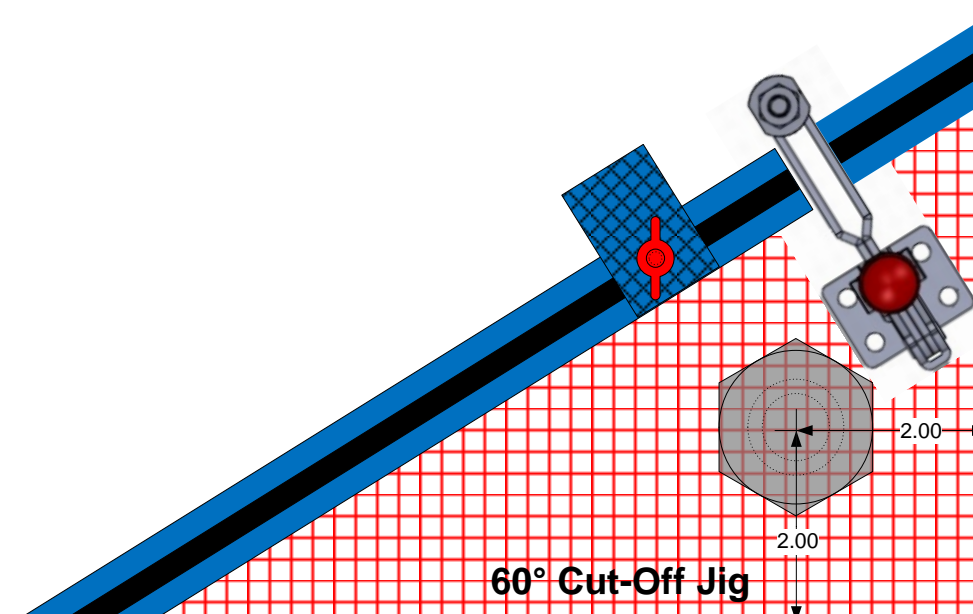
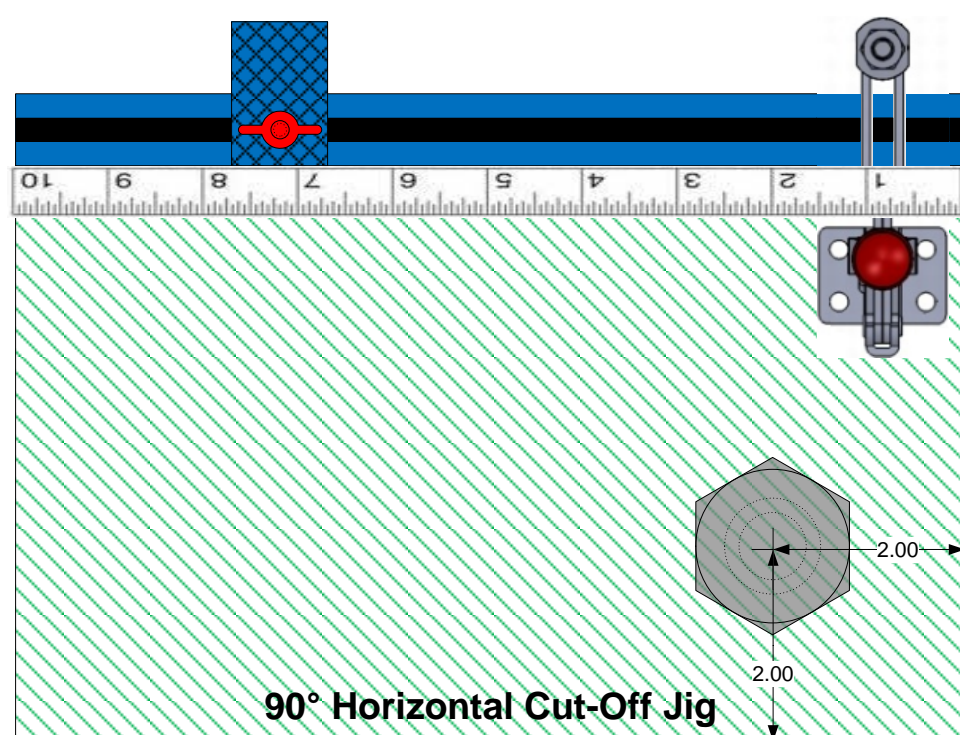
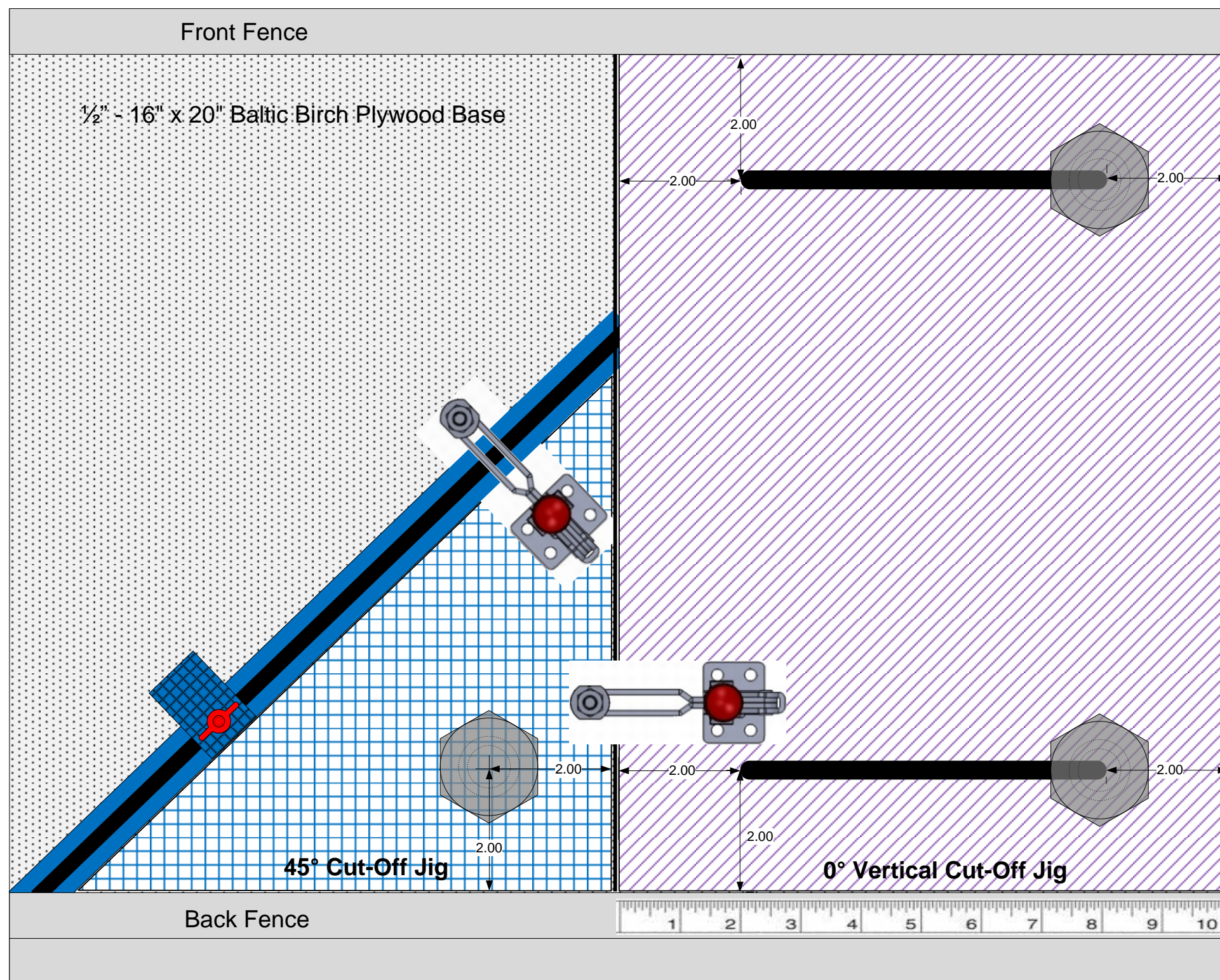


ULTIMATE PEN SEGMENTING SLED (UPSS)

Copyright © 2018 By Gary D. Salisbury

- Preliminary Design – Feedback welcome - email: gdis46@gmail.com



ULTIMATE PEN SEGMENTING SLED (UPSS)

This is a preliminary design for what I call the Ultimate Pen Segmenting Sled. It will allow for vertical cuts for trimming blanks, for 90° horizontal cuts for cutting blanks to the correct size for turning, and for 30°, 45°, and 60° angle cuts for segmenting.

The basic design sits on a 16" x 20" x 1/2" Baltic Birch plywood base. The front fence is made from a piece of 3" x 20" x 3/4" Baltic Birch. The rear fence is made from two pieces the same size laminated together. Each specialized jig is held in place with hold-down knobs that attach it to the base and horizontal toggle clamp hold the material to be cut with for safety. Each jig utilizes stop blocks for insured accuracy and repeatability.

Construction:

- Base: 16" x 20" x 1/2" Baltic Birch Plywood
- Front Fence: 3" x 20" x 3/4" Baltic Birch Plywood
- Back Fence: 2 - 3" x 20" x 3/4" Baltic Birch Plywood laminated together
- 0° Vertical Cut-Off Jig: 10" x 13-3/4" x 3/4" Baltic Birch Plywood
- 90° Horizontal Cut-Off Jig: 3/4" Baltic Birch Plywood
- 60° Segmenting Cut-Off Jig: 3/4" Baltic Birch Plywood
- 45° Segmenting Cut-Off Jig: 3/4" Baltic Birch Plywood
- 30° Segmenting Cut-Off Jig: 3/4" Baltic Birch Plywood

Hardware:

- 48" Rockler T-Track
- 3 - Hold down knobs (1/4" x 20 screw threads)
- 3 - T-Nuts (1/4" x 20 screw threads)
- 5 - Horizontal Toggle Clamps for each cut-off jig
- 2 - Inkra 3/8" x 3/4" Rails
- 4 - Stop Blocks

Scale: 1/2 : 1
(Date: 18.5.30)